

PRODUCT SHEET · FICHE PRODUIT

# VERSAILLES

## OVALE DOUBLE



Non contractual picture

AAE - VERSAILLES OVALE DOUBLE FP



Alain Ellouz  
.paris

# TECHNICAL INFORMATION

## INFORMATIONS TECHNIQUES

# VERSAILLES

## OVALE DOUBLE

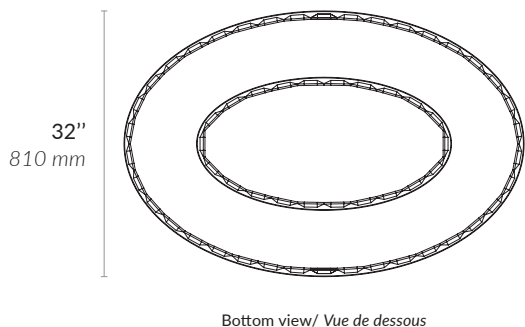
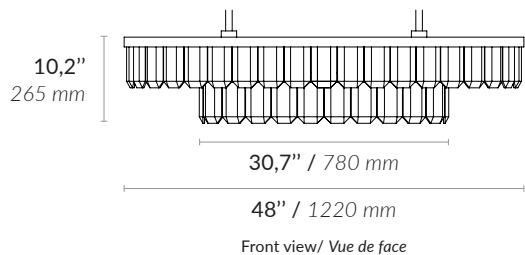
<b>Type</b>	Chandelier <i>Lustre</i>
<b>Environment</b> <i>Environnement</i>	Indoor <i>Intérieur</i>
<b>Material</b> <i>Matériaux</i>	Crystals 5,9" x 4" and steel <i>Cristaux 150 x 80 mm et acier</i>
<b>Suspension system</b> <i>Système de suspension</i>	Ceiling plate or false ceiling system and metal rod Ø 1" min h. 7,9"- max h. 78,7" <i>Platine de fixation ou accroche en faux plafond et tige métallique Ø 25 mm</i> min h. 200 mm - max h. 2000 mm
<b>Lighting system</b> <i>Système d'éclairage</i>	LED Strip 19,2 W/m - Dimmable intensity and color (2700K to 6000K) Remote transformer <i>Bande LED 19,2 W/m - Variable en intensité et en couleur (2700K to 6000K)</i> <i>Transformateur déporté</i>
<b>Voltage</b>	24 V : transformer provided
<b>Wattage / Lumens</b>	VERSAILLES OVALE DOUBLE 120-80 : 100 W / 4150 lm VERSAILLES OVALE 150-110 : 140 W / 5395 lm

### References

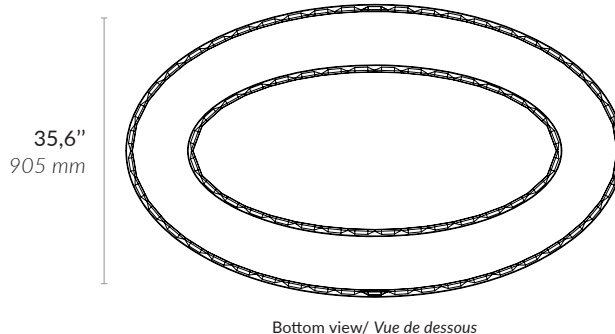
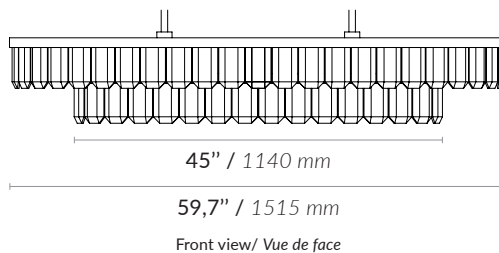
	VERSAILLES OVALE DOUBLE 120-80	VERSAILLES OVALE DOUBLE 150-110
Polished gold	COL-0474	COL-0480
Antique brass	COL-0476	COL-0482
Polished stainless steel	COL-0478	COL-0484

### Dimensions :

#### VERSAILLES OVALE DOUBLE 120-80



#### VERSAILLES OVALE DOUBLE 150-110



### Weight/ Poids :

187,4 lb / 85 Kg

286,6 lb / 130 Kg

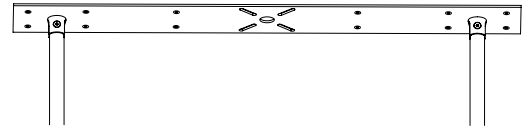
2 years warranty. General terms and conditions of sales / *Garantie 2 ans. Voir conditions générales de vente.*

## FIXING SYSTEMS AND FINISHES SYSTÈMES DE FIXATION ET FINITIONS

- **HIDDEN INDIVIDUAL FIXING**  
*FIXATION INDIVIDUELLE INVISIBLE*

System adapted to false ceilings for an aspect without a visible fixation (the rod comes out directly from the ceiling). The hole in the false ceiling can be finished with an eyelet .

*Système adapté aux faux plafonds pour un rendu sans fixation visible (la tige sort directement du plafond). Le trou dans le faux plafond peut être fini par un œillet.*



- **VERSAILLES OVALE CANOPY**  
*PAVILLON VERSAILLES OVALE*

**Individual ceiling fixing.**

*Fixation individuelle pour plafond.*

29,5"L x 5,5"W x 1,26"H  
L750 x I140 x h32 mm



- **RODS AND CANOPY FINISHES**  
*FINITIONS DES TIGES ET DU PAVILLON*

**Metal plating finish :**  
*Laitonnage*



**Antique brass**  
*Bronze médaille*  
ref : dcl-005



**Golden polish**  
*Poli doré*  
ref : dcl-010

**Metal finish :**  
*Finition métal*



**Polished stainless steel**  
*Inox*  
ref : dcl-003

# TECHNICAL INFORMATION EQUIPPED WITH UL LISTED COMPONENTS

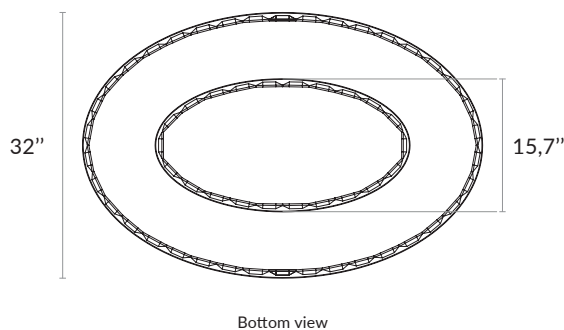
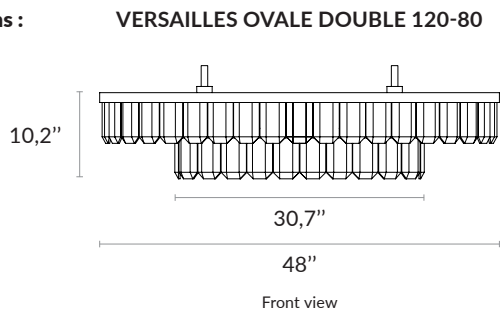
# VERSAILLES OVALE DOUBLE

<b>Type</b>	Chandelier Equipped with UL listed components
<b>Environment</b>	Indoor
<b>Material</b>	Crystals 5,9" x 4" and steel
<b>Suspension system</b>	Ceiling plate or false ceiling system and metal rod Ø 1" Overall drop : min h. 18,3"- max h. 89,1"
<b>Lighting system</b>	LED Strip 2,9W/ft (2700K or 3000K) - Dimmable intensity Remote transformer (concealed option upon request)
<b>Voltage</b>	24 V : transformer provided
<b>Wattage / Lumens</b>	VERSAILLES OVALE DOUBLE 120-80 : 50 W / 1765 lm VERSAILLES OVALE 150-110 : 70 W / 2290 lm

## References

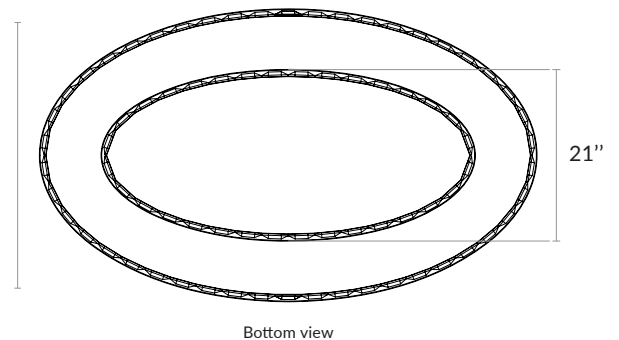
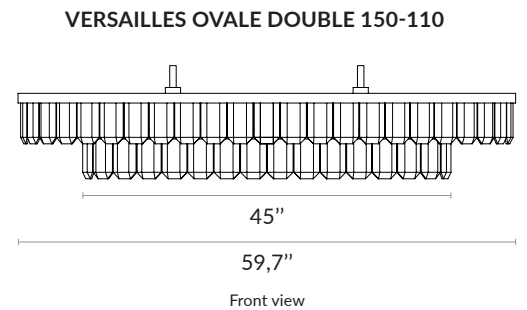
	VERSAILLES OVALE DOUBLE 120-80	VERSAILLES OVALE DOUBLE 150-110
Polished gold	COL-0475	COL-0481
Antique brass	COL-0477	COL-0483
Polished stainless steel	COL-0479	COL-0485

## Dimensions :



## Weight :

187.4 lb / 85 Kg



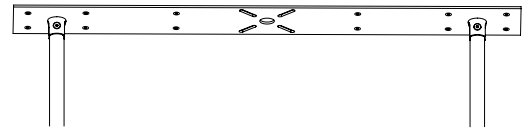
286.6 lb / 130 Kg

2 years warranty. General terms and conditions of sales.

## FIXING SYSTEMS AND FINISHES

- **HIDDEN INDIVIDUAL FIXING**

System adapted to false ceilings for an aspect without a visible fixation (the rod comes out directly from the ceiling). The hole in the false ceiling can be finished with an eyelet .



- **VERSAILLES OVALE CANOPY**

Individual ceiling fixing.

29,5"L x 5,5"W x 1,26"H



- **RODS AND CANOPY FINISHES**

**Metal plating finish :**



Antique brass  
ref : dcl-005



Golden polish  
ref : dcl-010

**Metal finish :**



Polished stainless steel  
ref : dcl-003